

# User Manual

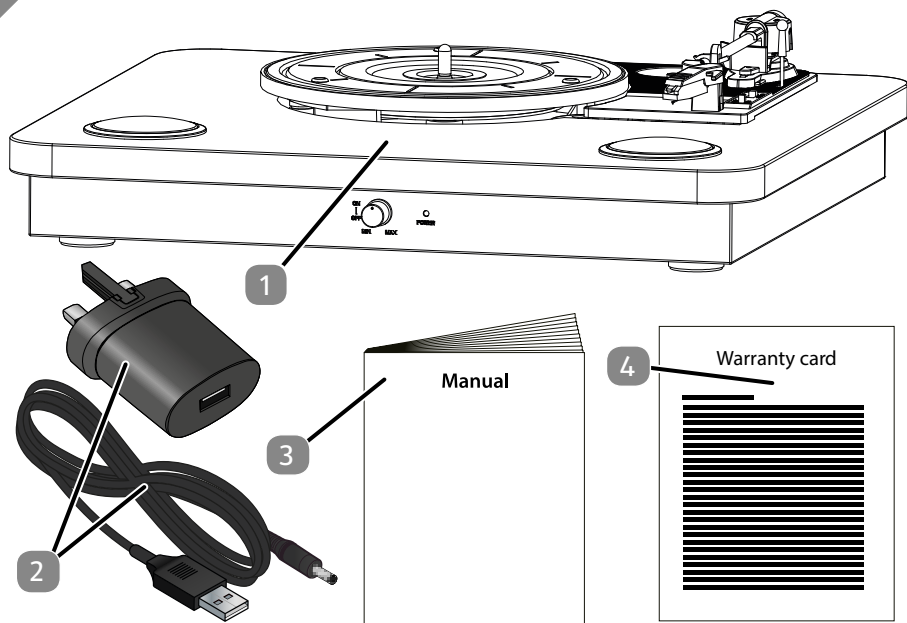
## **MAGINON** **USB TURNTABLE WITH** **BLUETOOTH®**



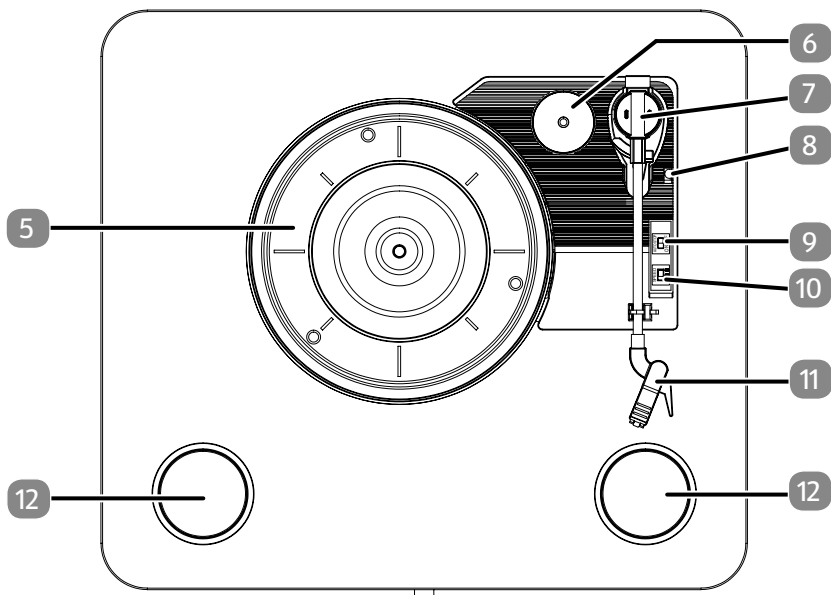
# Contents

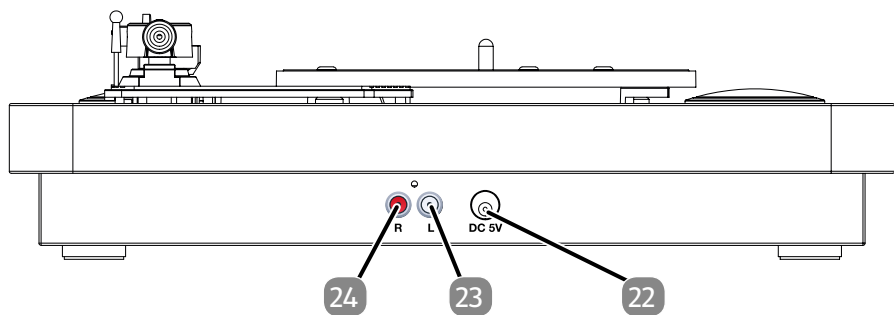
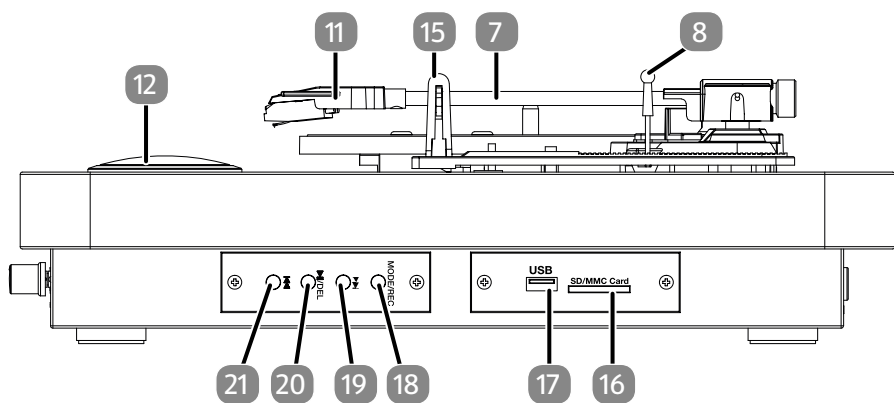
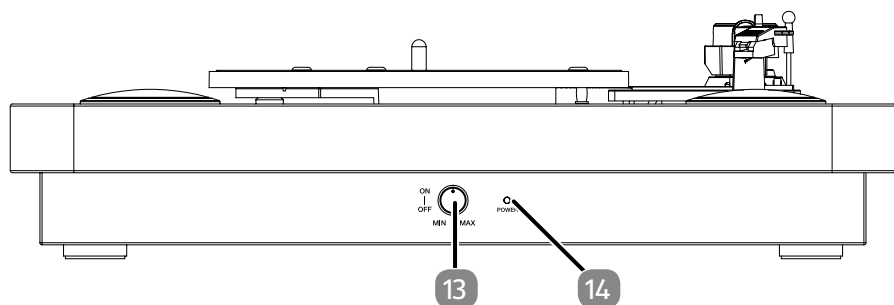
<b>Overview</b> .....	<b>3</b>
<b>Use</b> .....	<b>4</b>
<b>Scope of supply/Device parts</b> .....	<b>5</b>
<b>Preface</b> .....	<b>7</b>
<b>General information</b> .....	<b>8</b>
Read and retain these instructions .....	8
Explanation of symbols .....	8
<b>Safety</b> .....	<b>9</b>
Correct use .....	9
Safety instructions.....	9
<b>Initial operation</b> .....	<b>12</b>
Check device and contents of box .....	12
Basic cleaning.....	12
<b>Preparing the USB Turntable</b> .....	<b>13</b>
Attaching the Dust Cover .....	13
Connecting the USB Turntable to external speakers .....	13
Connect the power cord .....	14
<b>Playback</b> .....	<b>14</b>
<b>Using the USB Turntable</b> .....	<b>14</b>
Turn on the turntable .....	14
<b>Features</b> .....	<b>15</b>
Bluetooth Function.....	15
Recording.....	15
USB stick or SD card playback .....	16
Erasing tracks.....	16
<b>Maintanance</b> .....	<b>16</b>
<b>Cleaning</b> .....	<b>17</b>
<b>Storage</b> .....	<b>17</b>
<b>Troubleshooting</b> .....	<b>18</b>
<b>Technical Data</b> .....	<b>20</b>
<b>EU Declaration of Conformity</b> .....	<b>21</b>
<b>Disposal</b> .....	<b>21</b>
Disposal of packaging.....	21
Disposing of the USB Turntable .....	21

A



B





## Scope of supply/Device parts

- 1 USB Turntable
- 2 USB Power adaptor with cable
- 3 Instruction Manual
- 4 Warranty Card
- 5 Platter
- 6 Adapter Holder with 45 RPM Adapter
- 7 Tonearm
- 8 Raise / Lower Lever
- 9 Autostop Switch
- 10 Speed selector for 33 1/3, 45 and 78 RPM
- 11 Sound head / needle
- 12 Built-in stereo speakers
- 13 On / Off switch and volume control
- 14 Power LED
- 15 Tonearm support with clip
- 16 SD / MMC card reader
- 17 USB Port
- 18 Mode button: Recording/USB/Bluetooth
- 19 Next track
- 20 Play / Pause / Delete button
- 21 Previous track
- 22 Power plug
- 23 Audio Output left
- 24 Audio Output right

**MAGINON**

## Preface

Dear customer,

Congratulations on purchasing a high-quality MAGINON product.

You have chosen a state-of-the-art USB Turntable, with excellent technical equipment and the corresponding accessories, which is particularly easy to use.

The USB Turntable comes with a three-year warranty. In the event of a defect in your USB Turntable, you will need the enclosed warranty card and proof of purchase.

Keep these in a safe place together with the USB Turntable.

Legal notice

Issued by:

**supra**

Foto-Elektronik-Vertriebs-GmbH

Denisstr. 28A

67663 Kaiserslautern

Germany

# General information

## Read and retain these instructions



These Operating Instructions belong to this USB Turntable. They contain important information about installation and use.

Read these Operating Instructions, and in particular the safety information, carefully before using the USB Turntable. Failure to observe these Operating Instructions may lead to loss of data or damage to the USB Turntable.

These Operating Instructions are based on standards and regulations that apply in the European Union. Also observe specific guidelines and laws in other countries!

Please retain these Operating Instructions for further reference. If you pass the USB Turntable on to a third party, please also include these Operating Instructions.

## Explanation of symbols

The following symbols and signal words are used in the Operating Instructions, on the device or on the packaging.



This signal symbol/word indicates a high-level hazard which, if not avoided, may cause death or serious injury.



This signal symbol/word indicates a mid-level hazard which, if not avoided, may cause death or serious injury.



This signal symbol/word indicates a low-level hazard which, if not avoided, may result in minor or moderate levels of injury.



This signal word warns against potential material damage.



This symbol provides useful additional information regarding assembly or operation.





Declaration of Conformity (see section on “Declaration of Conformity”): Products marked with this symbol comply with all Community legislation of the European Economic Area.



Products marked with this symbol are powered by direct current.



Only suitable for inside use. Devices with this symbol may only be operated indoors (in a dry environment).

## Safety

### Correct use

This device is intended for use as a turntable to play and digitize vinyl records. It is only intended for private use and not suitable for commercial purposes.

Only use the USB Turntable as described in this user manual. Any other use is considered improper and may result in damage to property or persons.

The manufacturer or vendor cannot be held liable for damages or injury incurred through improper or incorrect use.

### Safety instructions



#### **Risk of electric shock!**

A faulty electrical installation, excessive line voltage, or incorrect operation may result in an electric shock.

Bluetooth® devices work with shortwave radio signals. These may interfere with other electronic devices, including medical devices.

- Do not use the USB Turntable in medical facilities, at petrol stations or in the vicinity of automatic fire detectors or automatically controlled devices.
- Keep your USB Turntable at least 20 cm away from cardiac pacemakers and other medical devices. Radio signals may interfere with the functioning of pacemakers and other medical devices.
- To prevent risk of electric shock, do not remove cover or back. No user-serviceable parts are inside. Refer servicing to qualified service personnel.
- Do not operate the USB Turntable or accessories if they show visible signs of damage or are defective.

- Do not open the housing. Have any repairs carried out by an expert. Contact a specialist workshop. All liability and warranty claims shall be void in the event of incorrect connection, improper use or repairs that have been carried out by users themselves.
- Only use parts conforming to the original device data when repairing the unit. This device contains electrical and mechanical parts required for protection against hazards.
- The USB Turntable and accessories may not be exposed to drops or splashes of water or to excessive humidity. There is a risk of fire and electrocution.
- Never touch the USB Turntable with wet hands.
- Keep the USB Turntable and accessories away from open flames and hot surfaces.
- Install the power cable in such a way that they do not become a trip hazard.
- Do not kink the power cable and do not lay them over sharp edges.
- When you are not using the USB Turntable, when cleaning it, or if a fault occurs, always switch the USB Turntable off and disconnect it from the external power supply.



**Danger for children and persons with impaired physical, sensory or mental capacities (e.g. partially disabled persons, older persons with reduced physical and mental capacities), or lack of experience and knowledge (e.g. older children).**

This USB Turntable may be used by children of eight years or older and persons with reduced physical, sensory or mental abilities or lack of experience or knowledge provided they are supervised or have been instructed on how to use the USB Turntable safely and understand the resulting risks. Children may not play with the USB Turntable. The device should not be cleaned or maintained by children without supervision.

- Ensure that children do not push objects into the USB Turntable.
- Keep the USB Turntable and connection lead way from children below the age of eight.
- Do not leave the USB Turntable unattended during use.

- 
- Do not allow children to play with the packaging foil. They may get entangled in it and suffocated if they play with it.

## **NOTICE!**

### **Risk of damage!**

Improper handling of the USB Turntable may result in damage to the USB Turntable.

- Never store the USB Turntable in such a way that it can fall into a bath or wash basin.
- Protect the device from extreme heat (above 35°C) and cold (below 5°C), direct sunlight and dust.
- Do not place open sources of flame, such as lighted candles, on or near the device.
- Place the USB Turntable on an easily accessible, level, dry, heat-resistant and sufficiently stable work surface. Do not place the USB Turntable on the edge of the work surface.
- Avoid the build-up of heat by not placing the USB Turntable directly up against a wall or under cupboards or similar. The steam that is emitted could damage furniture.
- Never place the USB Turntable on or near hot surfaces (stovetops, etc.).
- Ensure that the mains cord does not come into contact with hot parts.
- Never expose the USB Turntable to high temperatures (heaters etc.) or to the effects of the weather (rain etc.).
- Never fill the USB Turntable with liquid.
- Never attempt to clean the USB Turntable by immersing it in water and do not use a steam cleaner to clean it. Otherwise, you could damage the USB Turntable.
- Never place the USB Turntable in the dishwasher. It would be destroyed as a result.
- Stop using the USB Turntable if its plastic parts exhibit cracks or breaks or are deformed. Only replace damaged parts with corresponding original spare parts.



**WARNING:** Extreme volume levels can damage your hearing due to high acoustic pressure.



- The lightning flash with an arrowhead symbol within an equilateral triangle is intended to alert the user to the presence of non-insulated “dangerous voltage” within the product’s enclosure that may be of sufficient magnitude to constitute a risk of electric shock to person.

## Initial operation

### Check device and contents of box



#### **Risk of suffocation!**

There is a risk of suffocation to children if they play with the packaging foil.

- Do not allow children to play with the packaging foil. They may get entangled in it and suffocated if they play with it.

#### **NOTE!**

#### **Danger of damage!**

If the packaging is opened carelessly with a sharp knife or other pointed objects, the USB Turntable may easily be damaged.

- Please open packaging carefully:
  1. Remove USB Turntable from packaging and check whether the USB Turntable or accessories are damaged. In the event of any damage do not use the USB Turntable. Contact the manufacturer at the service address provided on the warranty card.
  2. Check that the contents of the package are complete (see **fig. A**).

### Basic cleaning

- Remove the packaging material and all protective foil.
- Prior to using for the first time, clean all parts of the USB Turntable as described in the section on “Cleaning”.

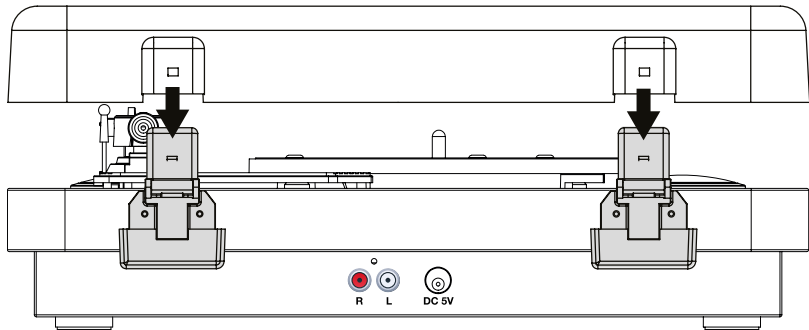
# Preparing the USB Turntable

## Attaching the Dust Cover

To attach the included dust cover, follow the instructions:

1. Align the dust cover with the turntable's rear panel hinges.
2. Attach the dust cover to the hinges, pressing down to lock them into place.

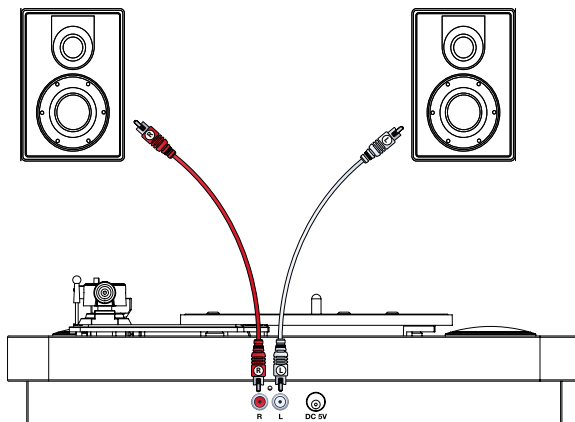
Please see following drawing:



## Connecting the USB Turntable to external speakers

Since the USB Turntable has built-in speakers [12](#), it is not necessary to connect external speakers in order to listen to your vinyl records.

However, if you want to connect your own active speakers, please see the following drawing. You will need an RCA cable to do this (not supplied):



## Connect the power cord

Make sure that your home's outlet voltage matches the unit's operating voltage. Your unit is designed to be connected to 5V DC power supply **22**.

## Playback

There are 2 ways to listen to your vinyl records.

1. Simply listen to your music by using the internal speakers.
2. Listen to music with your own external speakers by connecting the audio outputs at the back.

Connect the white Audio Out **23** of the turntable to the L/H channel of the stereo system. Connect the red Audio Out **24** of the turntable to the R/H channel of the stereo system.

## Using the USB Turntable

### Turn on the turntable

1. Place a vinyl on the platter **5**. For Single (45 RPM) discs, use the 45 RPM adapter **6**.
2. With the speed selector **10** select the desired RPM (33 1/3, 45 or 78).
3. Turn on the turntable with the on/off switch **13**.
4. Unlock **15** the tonearm **7** if necessary.
5. Raise the tonearm **7**.
6. Place the sound head **11** at the beginning of the disc and gently lower the tonearm with the lever **8** on the disc. The turntable starts to turn automatically at the selected speed.
7. At the end of the disc, the turntable stops automatically (Auto Stop function).
8. Return the tonearm to its support and lock it.
9. Put the protective cap back on the Sound head / needle **11**.
10. Turn off the turntable with the on/off switch **13**.

# Features

## Bluetooth Function

1. Turn on the turntable and make sure the tonearm **7** is on its support **15** and Autostop **9** is “ON”.
2. Open the Bluetooth option on your smartphone and look for the “Maginon Turntable” Bluetooth device.
3. Connect your smartphone with this Bluetooth device.
4. Once connected, you will hear the audio signal from the turntable.
5. With the “Previous track **21**, Pause/Play/Delete **20** and Next track **19**” buttons you can control the choice of music on the turntable.



### Note

The Bluetooth function will not work unless the Autostop switch **9** is in the “On” position. When the Autostop switch **9** is turned on, the turntable function is de-activated. When the Autostop switch **9** is turned off, the Bluetooth function is de-activated.

## Recording

1. Connect a USB stick to the turntable’s USB port **17** or insert an SD card into the card reader **16**.
2. Place a disc (see the “Turn on the turntable” paragraph).
3. To start recording, press and hold the Mode button **18** for about 2 seconds. A beep indicates the start of the recording.
4. Place the tonearm **7** with the lever **8** on the disc. The disc is read and recorded on the inserted media (USB stick or SD card) in the form of an MP3 file.
5. When the recording stops, press the Mode button **18** again for 2 seconds. Two beeps indicate the end of the recording. The recorded songs will be saved in the “RECORD0” folder on your USB stick or SD memory card.



### Note

To record other tracks, repeat the steps above.

## USB stick or SD card playback

1. Connect a USB stick to the turntable's USB port **17** or insert an SD card into the card reader **16**. The media should only contain MP3 files.
2. A song will start playing automatically.
3. With the "Previous track **21**, Pause/Play/Delete **20** and Next track **19**" buttons you can control the choice of music on the turntable.



### Note

Tracks are recorded in alphabetical order in the folder.

## Erasing tracks

To erase tracks from the USB Stick or Memory card, press and hold for about 2 seconds the Pause/Play/Delete **20** button while playing the track to be erased. A beep indicates that the track has been erased.

## Maintenance

Discs should be regularly cleaned with a soft antistatic cloth. This increases the sound quality and the disc's life.

The needle **11** should be replaced approximately every 250 hours.

To eliminate dust on the needle **11**, you can use ordinary cleaning brushes and cleaning alcohol.

When transporting the turntable, the tonearm **7** must be at rest and locked on its support **15**. The cap must be on the sound head **11** and the platter **5** must be blocked with a piece of adhesive tape.



## Cleaning



**WARNING!**

### **Burn hazard!**

The USB Turntable will get hot during operation and may cause burns.

- Let the USB Turntable cool off completely before each cleaning.

**NOTICE!**

### **Risk of short circuit!**

Water that has penetrated the housing may cause a short circuit.

- Make sure that no water penetrates the housing.
- Never immerse the USB Turntable in water.

**NOTICE!**

### **Risk of damage!**

Improper handling of the USB Turntable may result in damage.

- Do not use any aggressive cleaners, brushes with metal or nylon bristles, or sharp or metallic cleaning utensils such as knives, hard scrapers and the like. They could damage the surfaces.
- Do not put the USB Turntable in the dishwasher, as this will destroy it.

**1. Unplug the USB Turntable before cleaning.**

**2. Let the USB Turntable cool off completely.**

**3. Use a damp cloth to wipe off the USB Turntable. Then let all parts dry completely.**

## Storage

All parts must be completely dry before being stored.

- Always store the USB Turntable in a dry area.
- Protect the USB Turntable from direct sunlight.
- Store the USB Turntable so that it is not accessible to children, securely locked away and at a storage temperature between +5 °C and +20 °C (room temperature).

# Troubleshooting

If you experience any difficulties, please refer to the troubleshooting steps below.

## 1. Turntable will not turn on

- The power plug is not connected. Connect the power plug to the wall outlet.

## 2. No sound

- Please check if the volume is set too low and adjust the volume.
- The input selector is set to the wrong mode. Select the correct input mode.

## 3. Noise or distortions during playback

- The Turntable is too close to another electronic device. Place the Turntable in another position.
- The distance to the external Bluetooth device is further than 33 ft. (10 m). Reduce the distance between Turntable and external Bluetooth device.

## 4. Turntable does not respond

- This may be caused by electrostatic discharge. Disconnect the Turntable power plug. Wait for approximately 5 minutes, reconnect the power plug and then turn on the Turntable.

## 5. No sound output while an external AUX device is connected

- The AUX cable is not connected properly. Check the AUX cable connecting the Turntable and the external AUX device.
- The wrong mode is selected on the Turntable. Select the AUX mode.

## 6. No sound output while a Bluetooth device is connected

- The wrong mode is selected. Set the Autostop to "ON" to set the Turntable to the Bluetooth mode.
- The volume on the Turntable or the external Bluetooth device is too low. Turn up the volume on the Turntable and/or the external device.
- The distance to the external Bluetooth device is further than 33 ft. (10 m). Reduce the distance between the Turntable and the external Bluetooth device.
- If the above steps do not help, try to pair both devices again.

## 7. The external Bluetooth device cannot be paired with the Turntable

- The external device has no Bluetooth function. Read the manual of the external device to make sure it is compatible with the Bluetooth function.
- The Bluetooth function of the external device is disabled. Pair the Turntable and the external device again.
- The external device is paired with another device. Disconnect from the paired device. Try to pair the Turntable and the external device again.
- Make sure the Autostop is "ON"

**8. No audio when recording music**

- Make sure that the power plug is connected.
- Make sure that the turntable is rotating and that the needle is on the record.
- Please check if the volume is set too low and adjust the volume.

**9. The turntable is not rotating**

- Make sure that the power plug is connected.
- Ensure Auto Stop is turned on and the tonearm is placed over record (if Auto Stop is turned off the record should continue spinning when power is on).

**10. The record is not playing at the correct speed; its pitch is too high or too low**

- Make sure that the 33  $\frac{1}{3}$ , 45 and 78 switch is set to the correct speed for your record.

## Technical Data

Model:	USB Turntable HS-T08
Turntable:	7.67 in (195 mm)
Rotation speed:	33 1/3, 45 and 78 revolutions per min (RPM)
Drive:	Belt
Loudspeakers:	2 X 1 W (built-in)
Outlets:	Line Out (Chinch), USB port
Card reader:	MMC/SD/SDHC
Memory recognized:	MMC/SD/SDHC memory cards (up to 32 GB)
Power supply:	5 V $\overline{\text{---}}$ ; 1 A
Power plug:	Manufacturer: Shenzhen BMT Electronics Co., Ltd. Model: U225COA050100 Input: AC 100-240 V ~ 50/60 Hz 0.15 A Output: 5 V $\overline{\text{---}}$ ; 1 A
Bluetooth Version:	2.1 + EDR
Bluetooth® Profiles:	A2DP, AVRCP, HFP, HSP
Bluetooth® signal strength:	Class 2
Signal range:	10.93 yd (10 m)
BT frequency:	2.4 GHz
Dimensions (HxLxD):	16.53 x 14.76 x 4.33 in (420 x 375 x 110 mm)
Weight:	7.58 lbs (3440 g)



We reserve the right to make technical changes to the product and its appearance as part of product improvements.

## EU Declaration of Conformity

supra Foto-Elektronik-Vertriebs-GmbH hereby declares that the radio system type “HS-T08” complies with Directive 2014/53/EU. The full text of the EU Declaration of Conformity can be found at the following internet address:

2011/65/EC RoHS Guideline

2014/53/EU RED Guideline

The full text of the EU Declaration of Conformity can be found at the following Internet address:

<http://www.maginon.com/website/service/downloads/eu-konformitaetserklaerungen/>

**supra** Foto-Elektronik-Vertriebs-GmbH  
Denisstr. 28A, 67663 Kaiserslautern, Germany

The Bluetooth® brand name and logo are registered trademarks of Bluetooth SIG Inc., and any use of this mark by SGV Group Holding GmbH & Co. KG or their subsidiary **supra** Foto-Elektronik-Vertriebs-GmbH is under licence. Other brands and brand names are the property of their respective owners.



## Disposal

### Disposal of packaging



For disposal, separate the packaging into its different types. Dispose of cardboard and paper packaging as old paper; foil should be recycled.

### Disposing of the USB Turntable

(Applicable in the European Union and other European countries with separate collection systems of recyclable materials)



**Old appliances may not be disposed of in the household waste!**

Should the USB Turntable no longer be capable of being used at some point in time, **dispose of it in accordance with the regulations in force in your city or county.** This ensures that old appliances are recycled in a professional manner and also rules out negative consequences for the environment.

For this reason, electrical equipment is marked with the symbol shown here.

- Dispose of the USB Turntable in accordance with the applicable laws and regulations for your country.

**MAGINON**

Great care has gone into the manufacture of this product and it should therefore provide you with years of good service when used properly. In the event of product failure within its intended use over the course of the first 3 years after date of purchase, we will remedy the problem as quickly as possible once it has been brought to our attention. In the unlikely event of such an occurrence, or if you require any information about the product, please contact us via our helpline support services, details of which are to be found both in this manual and on the product itself.



**IMPORTED BY:**

supra FOTO-ELEKTRONIK-VERTRIEBS GMBH  
DENISSTR. 28 A  
67663 KAISERSLAUTERN  
GERMANY

**AFTER SALES SUPPORT**

16969



**00 800 - 7877 2368**



**maginon@protel-service.com**

MODEL:  
HS-T08

06/2019

**3**  
YEAR  
WARRANTY