

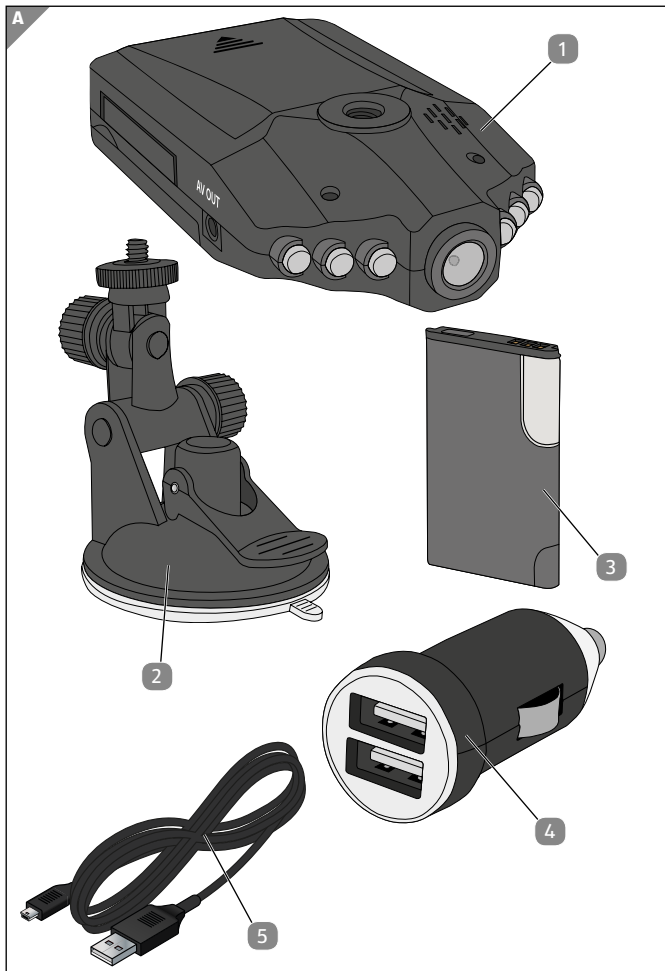
User Manual

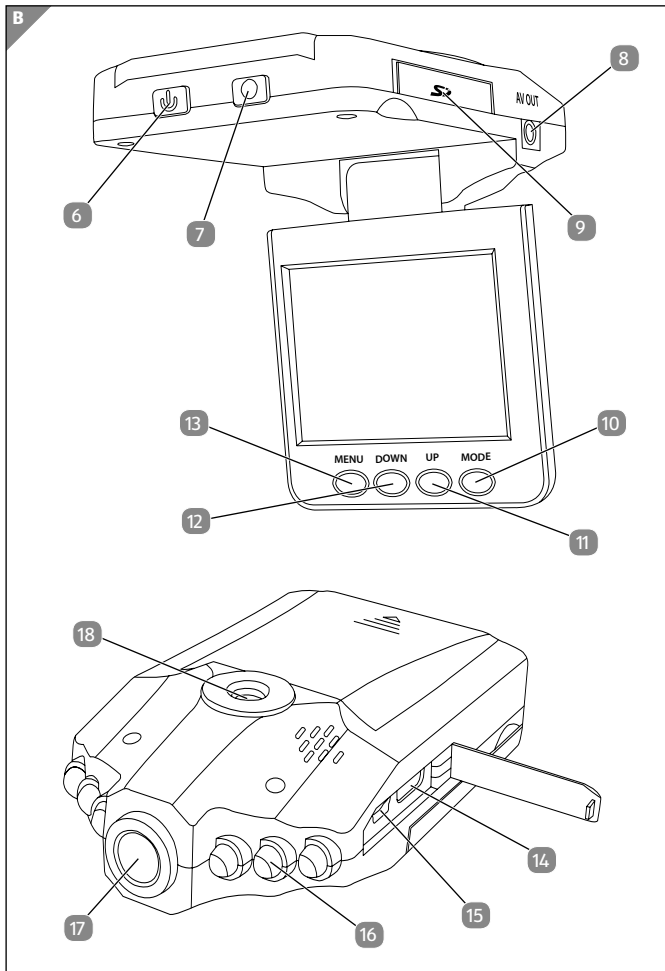
MAGINON **Car Black Box** **CBB 3**



Contents

Overview	3
Use.....	4
Scope of delivery/device parts	5
Preface.....	8
General	9
Safety.....	11
Start	15
Declaration of conformity	30
Technical specification	31
Storing	32
Cleaning.....	32
Disposal	34





Scope of delivery/device parts

- 1 Car Black Box
- 2 Suction cup holder
- 3 Li-Ion Battery (pre-installed)
- 4 USB car charger
- 5 USB cable
- 6 On / Off button
- 7 OK button
- 8 AV out plug
- 9 SD card slot
- 10 Mode button
- 11 UP button
- 12 Down button
- 13 Menu button
- 14 HDMI port
- 15 USB port
- 16 IR LED light
- 17 Lens
- 18 Thread for suction cup holder

Content

Overview	3
Use.....	4
Scope of delivery/device parts	5
Preface.....	8
General	9
Read and keep instructions	9
Explanation of symbols.....	9
Safety	11
Correct use	11
Safety information	11
Start	15
Preparing the Car Black Box.....	15
Contents of box.....	15
Installation of the Car Black Box	16
Charging the battery.....	17
Inserting and removing the memory card.....	18
Video mode	19
Photo mode.....	21
Playback.....	23
Setup	24
Video Recording	26
Taking photos	27
Playback recordings	27
System requirements	28
Transferring files to a computer	28
Webcam operation.....	29
Connecting to a TV	29
Declaration of conformity.....	30
Technical specification.....	31
Storing	32
Cleaning.....	32
Disposal	34

Preface

Dear customer,

Congratulations on purchasing a high quality MAGINON product.

You have chosen a modern Car Black Box with excellent technical equipment and respective accessory, which is particularly easy to operate.

The device comes with a 3 year warranty. In case of a defect in the Car Black Box, you require the enclosed warranty card and proof of purchase. Keep these in a safe place.

Imprint

Issued by:

supra

Foto-Elektronik-Vertriebs-GmbH
Denisstr. 28A
67663 Kaiserslautern
Germany

General

Read and keep instructions



This Operating Instruction belong to this Car Black Box. It contains important information about the start up and handling.

Study these Operating Instructions and, in particular the Safety Information in detail prior to using the Car Black Box. Non observance of these Operating Instructions can lead to loss of data or damage to the Car Black Box.

These Operating Instructions are based on valid standards and regulations of the EU. Also observe specific guidelines and laws in other countries!

Keep the Operating Instructions for further use. When passing on the Car Black Box to third parties please also include these Operating Instructions.

Explanation of symbols

The following symbols and signal words are used in these Operating Instructions, on the device or on the packaging.

 **DANGER!**

These signal words indicate a high level hazard which could cause death or serious injury if not avoided.

⚠ WARNING!

These signal words indicate a medium level hazard which could cause death or serious injury if not avoided.

⚠ CAUTION!

This signal word indicate a low level hazard which could cause slight or moderate injury if not avoided.

NOTE!

This signal word warns against potential material damage.



This symbol indicates useful additional information for the assembly or operation.



Declaration of conformity (see chapter “Declaration of conformity”): Products marked with this symbol meet all applicable Community regulations for the European Economic Area.

Safety

Correct use

The Car Black Box is solely designed to be used as a Car Black Box. It is only suitable for private and not for commercial use.

Only use the Car Black Box as described in the Operating Instructions. Any other use is deemed to be incorrect and can cause material damage and loss of data.

The manufacturers or dealers do not accept any liability for damage resulting from improper or incorrect use.

Safety information



Electrocution hazard!

Faulty electrical installations or excessive mains voltage can cause electrocution.

- Only connect the Car Black Box if the mains voltage of the power point matches the voltage specified on the rating plate.
- Do not operate the Car Black Box in case of visible damage or if the mains cable or connector is defective.
- Damaged mains cables of the Car Black Box must be replaced by the manufacturer or customer service or a similar qualified person.
- Do not open the housing but have repair carried out by an expert. Contact a specialist workshop. All liability and warranty claims shall be void in case of repairs carried out by users, incorrect connection or improper use.

- The Car Black Box may not be operated with an external timer or separate remote control system.
- Never immerse the affiliated components to water or other fluids. There is a fire and electric shock hazard.
- Keep the Car Black Box and the accessories away from open flames and hot surfaces.
- Do not kink the mains cable and do not install it over sharp edges.
- Do not expose the Li-Ion battery to excess heat such as sun radiation, fire, etc. Fire and explosion hazard.
- Battery Disposal: Old or discharged batteries must be properly disposed of and recycled in compliance with all applicable laws. For detailed information, contact your local solid waste authority.
- When not using or cleaning the Car Black Box or in case of a fault, always switch off the Car Black Box, disconnect the power supply and remove the batteries to prevent damage due to rusted or corroded batteries.
- Insert the batteries observing the proper polarity (+/-). Failure to properly align the battery polarity can cause personal injury and/or property damage.
- Remove old or discharged batteries from the product.
- Keep children away from batteries and pets. If you suspect a battery has been swallowed, seek immediate medical assistance.
- Follow the battery manufacturer's safety, usage, and disposal instructions.
- Do not leave the Car Black Box unattended during operation.

 **WARNING!****Electrocution hazard!**

Hazard or children and persons with reduced physical, sensory or mental abilities (such as partially disabled, older persons with limited physical and mental abilities) or lack of experience and know-how (such as older children).

- This Car Black Box may not be used by persons with reduced physical, sensory or mental abilities or lack of experience or know-how provided they are supervised or have been instructed on how to safely use the Car Black Box and understand hazards resulting therefrom. Children may not play with the Car Black Box. The Car Black Box may not be cleaned or maintained by children.
- Keep children under the age of eight away from the Car Black Box, car charger and the mains cable.
- Ensure that children do not push objects into the Car Black Box.
- Keep packaging foil away from children. They could get caught in it during play and could suffocate.

NOTE!**Danger of material damage!**

Incorrect use can cause Damage to the Car Black Box.

- When installing and assembling the Car Black Box ensure that a 10 cm gap is maintained on all sides in order to provide adequate ventilation. Ensure, in particular, that ventilation slots are not covered by newspaper, table clothes or curtains.

- Never place the Car Black Box on or near hot surfaces (e.g. stove tops, etc.).
- Ensure that the mains cable does not come into contact with hot parts.
- Never expose the Car Black Box to excessive temperatures (heating, etc.). Never pour liquid into the Car Black Box.
- When cleaning, never immerse the Car Black Box in water and do not use steam cleaner. The Car Black Box could otherwise be damaged.
- Do not use the Car Black Box if plastic or metal parts of it show cracks or tears or are deformed. Replace damaged parts only with original spare parts.
- If the Car Black Box has been dropped or the housing is damaged, turn it off. Otherwise there is a fire and electric shock hazard.
- The Car Black Box may not be taken apart, modified or repaired. There is a fire and electric shock hazard.
- Make sure that you do not drop the LCD monitor or apply pressure to the monitor screen. This could result in the glass of the monitor being damaged. If the monitor liquid gets into your eyes or onto your skin, it must be rinsed off immediately with clear water. Seek medical attention immediately.
- Damage to the electronics or accessory caused by external influences such as impacts, falls or others are not covered by the warranty and are chargeable.
- Do not drop or bump the Car Black Box and always treat it with care. Otherwise, it could get damaged.
- Do not switch on the Car Black Box light when close to other people's eyes. This could damage their eyes.

Start

Preparing the Car Black Box

- Remove packaging material and all protective foil.

Contents of box

 **WARNING!**

Danger of suffocation!

Keep plastic foil and bags away from babies and small children as danger of suffocation.

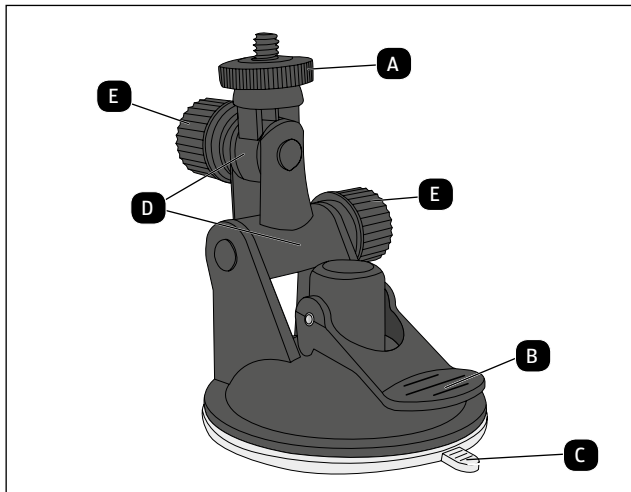
NOTE!

Danger of material damage!

If the packaging is carelessly opened with a sharp knife or other pointed objects, the product can be easily damaged.

- Please open packaging carefully.
1. Check that delivery is complete (see **Fig. A**).
 2. Remove the Car Black Box from packaging and check whether the equipment or parts are damaged. If yes, do not use the Car Black Box. Contact the service address of the manufacturer listed on the Warranty Card.

Installation of the Car Black Box



Screw the Car Black Box on the top security bolt of the suction cup car holder. Use the mounting plate **A** to fix the camera in right position.

Open lever **B** of the suction cup and press suction cup firmly against windscreen. Once in position, push down lever **B** completely. The suction cup should now be securely fastened to the windscreen. To release the suction cup from the windscreen pull again at tab **C** of the suction cup.

To adjust the Car Black Box, slightly release bolts **E** from both pivot joints **D** of the holder and adjust position of the Car Black Box as required. Tighten bolts again.

 **CAUTION!**

Always ensure that the Car Black Box is attached to the windscreen in such a way that the view of the driver is not impaired!

**Note!**

The windscreen must be clean and free from grease to provide a secure hold.

Charging the battery

To charge the battery either connect the Car Black Box to the computer using the USB cable or plug the USB car adapter to the cigarette lighter socket located in your car. Use one of two USB ports of the supplied USB car adapter to charge the Car Black Box.

Whilst charging, the red control LED will be lit on the Car Black Box. From full discharge the battery is charged within approx. 2-3 hours.

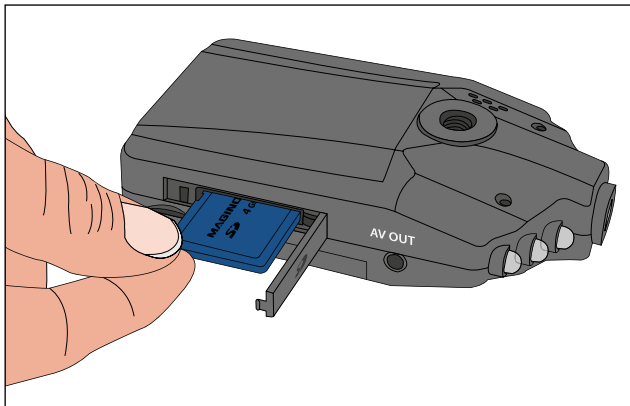
 **CAUTION!**

When connecting the system to the cigarette lighter socket, care must be taken to ensure that the USB cable does not hinder the driver. Otherwise this may increase the risk of an accident.

**Note!**

Videos and pictures can be taken during charging.

Inserting and removing the memory card



Prior to any recording, a memory card must first be inserted into the Car Black Box. Insert memory card into the Car Black Box as shown until it clicks into place.

To remove the memory card, press against the card until it protrudes slightly from the device and is ready for removal.

For Full HD quality recording (1920 x 1080 pixels) use SDHC memory cards of class 6 or higher.

Video mode

For video record settings first press the **MODE** button to select the Video mode. Then press the **MENU** button to open the Video menu. The following setting options are available in the Video menu:

Video Resolution

- **1080p FHD:** 1920x1080 Video recording at 1920 x 1080 pixels with 30 frames per seconds.
- **1080p:** 1440x1080 Video recording at 1440 x 1080 pixels with 30 frames per seconds.
- **720p:** 1280x720 Video recording at 1280 x 720 pixels with 30 frames per seconds.
- **WVGA:** 848x480 Video recording at 848 x 480 pixels with 30 frames per seconds.
- **VGA:** 640x480 Video recording at 640 x 480 pixels with 30 frames per seconds.
- **QVGA:** 320x240 Video recording at 320 x 240 pixels with 30 frames per seconds.



Note!

For HD quality recording (1280 x 780 pixels) use SDHC memory cards of class 6 or higher.

Loop Rec

- **OFF:** Loop recording off. Video recording ends as soon as memory card is full.
- **1, 2, 3 Minutes:** Camera records videos of 1, 2 or 3 minutes. Video recording ends as soon as memory card is full. The older clip will be replaced by the current clip.

EV

- The brightness of videos can be adjusted within a range of -2.0EV (dark) to +2.0EV (bright).
- Select the desired EV value by pressing the UP or DOWN button.

Motion Detection

- **ON:** Camera starts video recording as soon as a movement is detected in a range of 5 metre in front of the camera lens. Camera must be switched on.
- **OFF:** Motion Detection is disabled.

Audio

- **ON:** Camera records video and audio.
- **OFF:** Camera records video without audio.

Date Stamp

- **ON:** Date and time are shown on video.
- **OFF:** No date or time information on video.

Photo mode

For photo settings first press the MODE button to select the Photo mode. Then press the MENU button to open the Photo menu. The following setting options are available in the Photo menu:

Timer

- Single, 2s Timer, 5s Timer, 10s Timer

Resolution

- **12M:** 4032 x 3024 (interpolated), **10M:** 3648 x 2736, **8M:** 3264 x 2448, **5M:** 2592 x 1944, **3M:** 2048 x 1080, **VGA:** 640 x 480, **1.3M:** 1280 x 960

Sequence

- **ON:** Camera takes 5 pictures.
- **OFF:** Camera takes a single picture only.

Quality

- **Economy:** Low compression in JPEG format producing an excellent quality.
- **Fine:** Medium compression in JPEG format producing a good quality.
- **Normal:** High compression in JPEG format producing a standard quality.

Sharpness

- Strong, Normal, Soft

White Balance

- Auto, Daylight, Cloudy, Tungsten, Fluorescent

Color

- Normal, Black & White, Sepia

ISO

- Auto, 100, 200, 400

EV

- The brightness of photos can be adjusted within a range of -2.0EV (dark) to +2.0EV (bright).
- Select the desired EV value by pressing the UP or DOWN button.

Antishaking

- **ON:** Digital stabilizer, avoids blurred pictures by handshake.
- **OFF:** Digital stabilizer disabled.

Quick Reviewer

- **OFF:** Preview of taken photos will be not shown on the screen.
- **2 Seconds:** Automatic preview of the picture for 2 seconds after it was taken.
- **5 Seconds:** Automatic preview of the picture for 5 seconds after it was taken.

Date Stamp

- **ON:** Date and time are shown on photo.
- **OFF:** No date or time information on photo.

Playback

For playback settings first press the MODE button to select the Playback mode. Then press the MENU button to open the Playback menu. The following setting options are available in the Playback menu:

Delete

- **Delete Current:** Delete a single photo.
- **Delete All:** Delete all photos.

Protect

- **Lock Current:** Protect the current photo against accidental deletion.
- **Unlock Current:** Unlock deletion protection from the current photo.
- **Lock All:** Protect all Photos against accidental deletion.
- **Unlock All:** Unlock deletion protection from all photos.

Setup

To adjust the system settings of your Car Black Box, open the menu by pressing the MENU button from any operating mode. Use the MENU button to change to the System menu.

The following setting options are available in the System menu:

Set Date/Time

- Set the date and time by selecting the value to be changed with the MENU button and change
- value using the UP and DOWN buttons. Confirm settings by pressing the OK button.

Auto Power Off

- Disable the automatic power off when camera is not in use.

Language

- Select the desired menu language by pressing the UP and DOWN button and confirm your selection by pressing the OK button.

TV Mode

- PAL For playing back recordings on a PAL standard TV.
- NTSC For playing back recordings on a NTSC standard TV.

Light frequency

- Set the mains frequency to the mains frequency of your local power supply grid either to 50 or 60 Hz. This prevents flickering when using the Car Black Box under artificial light conditions.

- 50 Hz is the required frequency of the local power supply in Australia. The default setting of the power frequency in the Car Black Box is 50 Hz.

Screen Saver

- Off, 3, 5 or 10 Minutes.

Image Rotation

- Rotates the videos if the camera must be installed upside down.

Carplate

- Displays your car license number on the videos and pictures.

Format

- The memory card can be directly formatted in the Car Black Box. Please note that all data contained on the memory card are erased during formatting!

Default Setting

- This option is used to return all settings to the default settings. Confirm the resetting by selecting "OK" or terminate the selection by pressing the MENU button.

Firmware Version

- By selecting this option, the firmware version is displayed on the Car Black Box.

Video Recording

Switch on the Car Black Box. The Default mode is Video mode. A video symbol appears in the top left corner. Press the OK button in the video mode to start recording or end an active video recording.

If motion detection has been switched on in the video menu, the Car Black Box starts recording automatically as soon as a motion is detected. The automatically started recording session ends when no further motion is detected. An automatically started recording can also be ended at any time by pressing the OK button.

If the Car Black Box is connected to a car adapter or a power supply, it is automatically switched on in Video mode and commences recording when a motion is detected. When the Car Black Box is connected to a cigarette lighter socket in a car, it will start automatically as soon as the ignition is switched on. The Car Black Box is switched off again 5 minutes after the ignition has been switched off.

Note!



- The Car Black Box does not switch on automatically if it is connected to a computer.
- The auxiliary light cannot be switched on or off manually.

Taking photos

Switch on the Car Black Box and change to Photo mode using the MODE button.

A photo symbol appears in the top left corner when this mode has been selected. Press the OK button in the Photo mode to take a photo.

Timed or series photos can be taken if the respective option has been selected from the Photo menu.

Playback recordings

To play back video, photo and audio recordings, use the MODE button to change to the Playback mode. A playback symbol appears in the top left corner when this mode has been selected.

Select the recording to be played back, using the UP and DOWN button. Where a video or audio recording is available, playback can be started and ended by pressing the OK button.

Playback of video or audio recordings can be interrupted and continued by pressing the UP button.

System requirements

The Car Black Box is compatible with Windows XP, Vista, 7 and 8 as well as with MacOS and Linux as USB removable storage device.

For use of the Webcam function Windows XP (Service Pack 2), Vista, 7 and 8 is, however, required.

The following specifications are recommended for playing back and editing videos:

Windows®	Macintosh
Pentium® IV, 2.4 GHz or higher	PowerPC G3/G4/G5
Windows® XP/Vista/7/8	OS 10.3.9 or later system
512 MB RAM	512 MB RAM
2 GB available hard disk space	2 GB available hard disk space
Unassigned USB port	Unassigned USB port

Transferring files to a computer

To transfer files from the Car Black Box to a computer, use the supplied USB cable to connect the Car Black Box to a USB port of the computer. Switch on the Car Black Box and the USB selection will appear on the display. Select “Mass Storage“ and confirm the selection by pressing the OK button.

The computer will then show an additional drive (Windows: removable storage device, for MacOS: unknown) allowing access to data contained on the Car Black Box memory card.

Webcam operation

To use the Car Black Box as a webcam, connect the Car Black Box to a USB port of the computer, using the supplied USB cable. Switch on the Car Black Box and the USB selection will appear on the display. Select "PC Camera" and confirm selection by pressing the OK button.

The computer will then show a USB video device which you can use as a video source for other programs (MSN Messenger, Skype, etc.).

Connecting to a TV

The image displayed on the Car Black Box can be transferred to a TV containing the HDMI port or the AV port. Using the HDMI cable, connect the Car Black Box to a HDMI connection of the TV.

Select the used HDMI port on your TV. Using an AV cable, connect the device to an AV connection of the TV. Select the used AV port in your TV.

Declaration of conformity



The EC Declaration of Conformity can be requested from the below address.

The manufacturer hereby declares that the CE marking was applied to the product in accordance with the basic requirements and other relevant provisions of the following European Directives:

2011/65/EC RoHS Directive

2006/95/EC Low Voltage Directive

1999/5/EC R&TTE Directive

supra

Foto-Elektronik-Vertriebs-GmbH
Denisstr. 28A, 67663 Kaiserslautern,
Germany

Technical specification

Model:	CBB 3
Sensor:	1/3.75" CMOS sensor
Lens:	120° wide angle
Focal length:	12 cm ~ infinity
Display:	2.4" LTPS TFT colour display
Recording medium:	SD/SDHC memory card up to 32 GB
Video resolutions:	1920x1080 (30fps); 1440x1080 (30fps); 1280x720 (30fps); 848x480 (30fps); 640x480 (30fps); 320x240 (30fps)
Photo resolutions:	3264x2448; 2592x1944; 2048x1080; 1280x960 640x480;
File formats:	Video: AVI (motion JPEG), Photo: JPEG, Audio: WAV
Zoom:	4x digital zoom
Exposure time:	1/2 ~ 1/1000 sec.
Connections:	USB 2.0, HDMI AV out (NTSC, PAL)
Power supply:	Rechargeable Li-Ion battery 600mAh USB car charger (input: 12-24V, output: 5.0 V)
Battery life:	Approx. 1 hour
Operating conditions:	Temperature 0-40°C, humidity 10-80%
Dimensions:	108.5 x 62 x 33 mm



Note!

We reserve the right to make technical and optical changes to the product as part of product improvements.

Storing

When not in use please disconnect the Car Black Box from the power supply and store it in a clean and dry place outside of the reach of children.

Cleaning

⚠ WARNING!

Burn hazard!

The Car Black Box becomes hot during operation!
Let it cool down completely.

NOTE!

Danger of short circuit!

Any water that has entered the housing can cause a short circuit.

- Never immerse the Car Black Box in water.
- Ensure that no water enters the housing.

NOTE!**Danger from incorrect operation!**

Incorrect use can cause damage to the Car Black Box.

- Do not use any aggressive cleaners, brushes with metal or nylon bristles or sharp or metallic cleaning objects, such as knives, hard spatulas and similar. These can damage the surface.
 - Never place the Car Black Box in dishwasher. This would destroy the device.
1. Pull out mains connector prior to cleaning.
 2. Let the Car Black Box cool down completely.
 3. Wipe the Car Black Box with a slightly damp cloth. Let the Car Black Box dry completely.

Disposal

Disposal of packaging



For disposal, separate packaging into different types. Cardboard and board must be disposed of as paper and foil must be recycled.

Dispose of used device



Do not dispose of used devices in household waste! If the Car Black Box can no longer be used each consumer is **legally obliged to dispose of used devices, separately from domestic waste**, e.g. at a collecting point of the municipality/district.

This ensures that used equipment is recycled correctly and that negative effects on the environment are avoided. Electrical equipment is consequently marked with the adjacent symbol.

Dispose of used batteries



Prior to disposal, the integrated batteries must first be removed and disposed off separately from the housing. Batteries and storage batteries may not be disposed of in domestic waste.

Never remove batteries yourself as this could lead to injuries. Contact the dealer from whom you bought the device or take it to the collection and returns point of your local council, responsible for the correct environmental disposal of the electric equipment and batteries. Storage batteries and batteries do therefore contain the adjacent symbol.



Made in China

DISTRIBUTED BY:

ALDI STORES
1 SARGENTS ROAD
MINCHINBURY NSW 2770
www.aldi.com.au

AFTER SALES SUPPORT

38070 

  **1 800 623 432**

 **info@supra-electronics.com**

MODEL:
CBB 3

08/2016

3
YEARS
WARRANTY